

EC Type Examination

No. **BSI-LB-004**

Issued to:

**T.A. Savery and Co Limited
and also T/A Oleo International
Grovelands Estate
Longford Road
Exhall
Coventry
CV7 9NE
United Kingdom**

In respect of:

Energy Dissipation Buffer model SEB25.2

on the basis of our examination under the requirements of Council Directive 95/16/EC, Annex V:A, The Lift Directive, as recorded in BSI Report No. 282/005059-10 dated October 1998, 239/4900411 dated 12 December 2006 and 239/ 7342603 dated 10 April 2009.

Any modification to the design of this product will invalidate the EC Certificate and the Notified Body, number 0086, must be informed without delay.

For and on behalf of the British Standards Institution, a Notified Body for the above Directive (Notified Body Number 0086):



Gary Fenton, Global Assurance Director

First Issued: **23 October 1998**

Issue: **4**

Date: **23 April 2012**

raising standards worldwide™ Page: 1 of 3



EC Type Examination

No. BSI-LB-004

Scope of Certificate for energy dissipation buffer model SEB25.2 is installed to operate under the following conditions:

1. For use with a minimum mass of 450kg.
2. For use with a maximum mass of 4545kg.
3. With a maximum impact speed of up to 2.92 m/s.
4. For use with hydraulic fluid type that meets ISO VG68.

5. Additional manufacturing site:

Oleo Buffer (Shanghai) Co., Limited
Plant A15, Xinfei Garden,
No. 3802 Shengang Road,
Songjiang,
Shanghai. 201612
China

First Issued: 23 October 1998

Issue: 4

Date: 23 April 2012

Page: 2 of 3

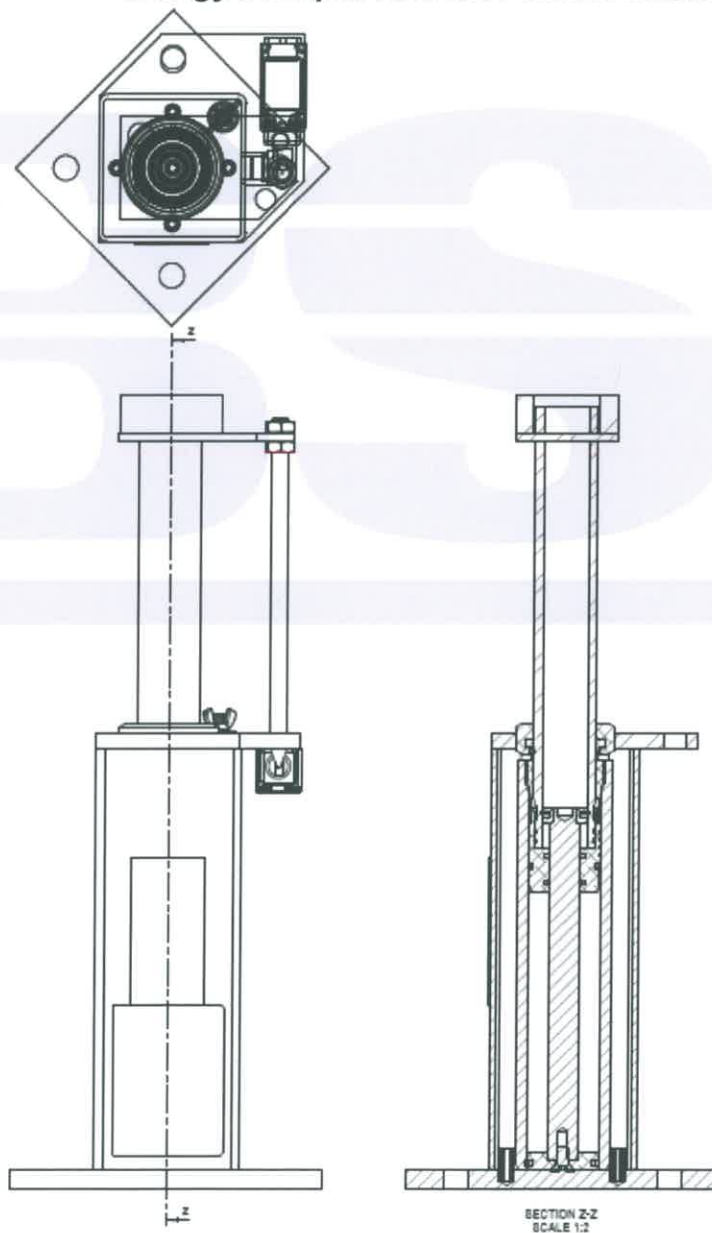
raising standards worldwide[™]



EC Type Examination

No. BSI-LB-004

Energy Dissipation Buffer model SEB25.2



First Issued: 23 October 1998

Issue: 4

Date: 23 April 2012

Page: 3 of 3

raising standards worldwide[™]

