

Certificate

EC Type Examination

No. BSI-LB-002

Issued to:

**T.A. Savery and Co Limited
and also T/A Oleo International
Grovelands Estate
Longford Road
Exhall
Coventry
CV7 9NE
United Kingdom**

In respect of:

Energy Dissipation Buffer model SEB18.2

on the basis of our examination under the requirements of Council Directive 95/16/EC, Annex V:A, The Lift Directive, as recorded in BSI Report No. 282/005059-10 dated October 1998, 239/4900411 dated 12 December 2006 and 239/ 7342603 dated 10 April 2009.

Any modification to the design of this product will invalidate the EC Certificate and the Notified Body, number 0086, must be informed without delay.

For and on behalf of the British Standards Institution, a Notified Body for the above Directive (Notified Body Number 0086):



Gary Fenton, Global Assurance Director

First Issued: 23 October 1998

Issue: 4

Date: 23 April 2012

raising standards worldwide™ Page: 1 of 3



Information and Contact: BSI, Kitemark Court, Davy Avenue, Knowlhill, Milton Keynes MK5 8PP. Tel: +44 (0)845 080 9000

BSI Assurance UK Limited, registered in England under number 7805321 at 389 Chiswick High Road, London W4 4AL UK. A member of the BSI Group of Companies.

PS1023/0112/BLD

EC Type Examination

No. BSI-LB-002

Scope of Certificate for energy dissipation buffer model SEB18.2 is installed to operate under the following conditions:

1. For use with a minimum mass of 450kg.
2. For use with a maximum mass of 4545kg.
3. With a maximum impact speed of up to 2.07 m/s.
4. For use with hydraulic fluid type that meets ISO VG68.
5. Additional manufacturing site:

Oleo Buffer (Shanghai) Co., Limited
Plant A15, Xinfei Garden,
No. 3802 Shengang Road,
Songjiang,
Shanghai. 201612
China

First Issued: 23 October 1998

Issue: 4

Date: 23 April 2012

Page: 2 of 3

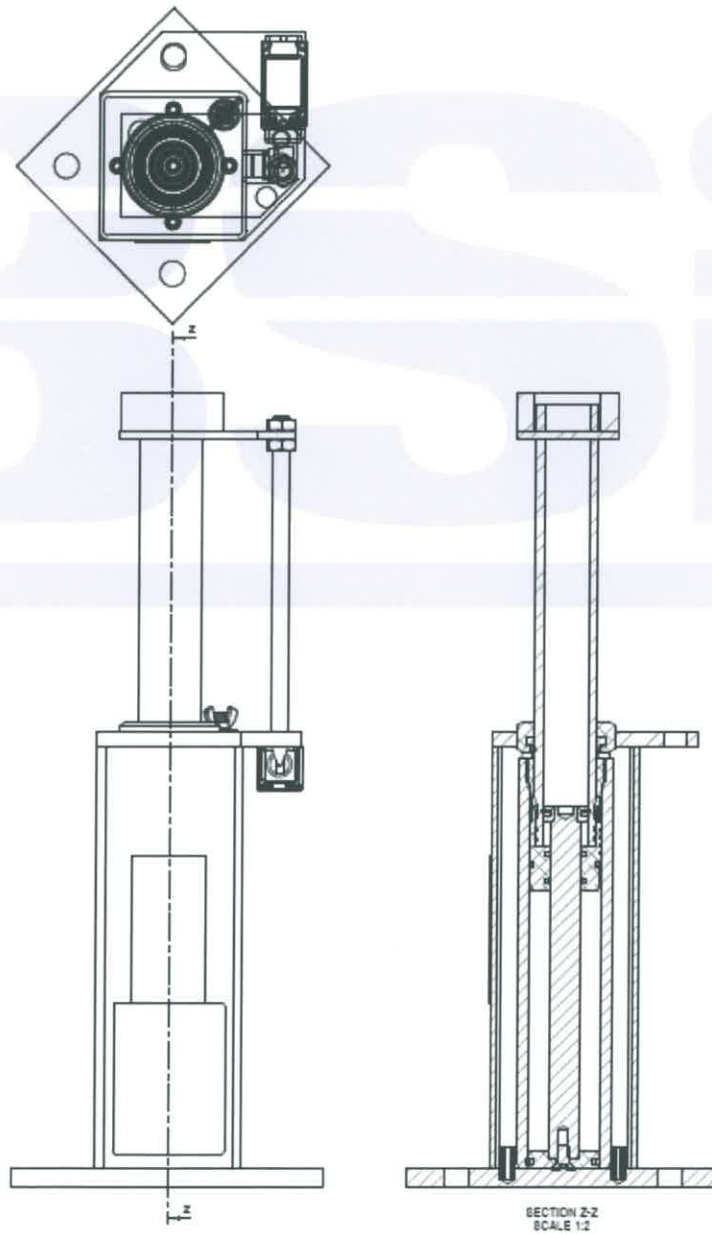
raising standards worldwide[™]



EC Type Examination

No. BSI-LB-002

Energy Dissipation Buffer model SEB18.2



First Issued: 23 October 1998

Issue: 4

Date: 23 April 2012

Page: 3 of 3

raising standards worldwide[™]

