

Type Examination

No. BSI-LB-573671

Issued to:

T.A. Savery and Company Limited
T/A Oleo International
Grovelands Estate
Longford Road
Exhall
Coventry
CV7 9NE

In respect of:

Energy Dissipation Buffer model MLB35.3

on the basis of our examination under the requirements of Council Directive 95/16/EC, Annex V:A, The Lift Directive, as recorded in BSI Report No. 289/7634585 dated 2 February 2011 and 7870129.

Any modification to the design of this product will invalidate this EC Certificate and the Notified Body, number 0086, must be informed without delay.

For and on behalf of the BSI, a Notified Body for the above Directive (Notified Body Number 0086).



Gary Fenton, Global Assurance Director

First Issued: 24 March 2011

Issue: 3

Date: 12 September 2012

Page: 1 of 3

raising standards worldwide™



Type Examination

No. BSI-LB-573671

Scope of Certificate for energy dissipation buffer model MLB35.3:

1. For use at a maximum impact speed of 4.09 m/s.
2. For use at a maximum total mass of 5550 kg.
3. For use at a minimum total mass of 600 kg.
4. When filled with Grade ISO VG 68 hydraulic oil.
5. Buffer manufacturing site; **Oleo Buffers (Shanghai) Co., Ltd.**
Plant A15, Xinfei Garden
No. 3802 Shengang Road
Songjiang
Shanghai, 201612
China

First Issued: 24 March 2011

raising standards worldwide™

Issue: 3

Date: 12 September 2012

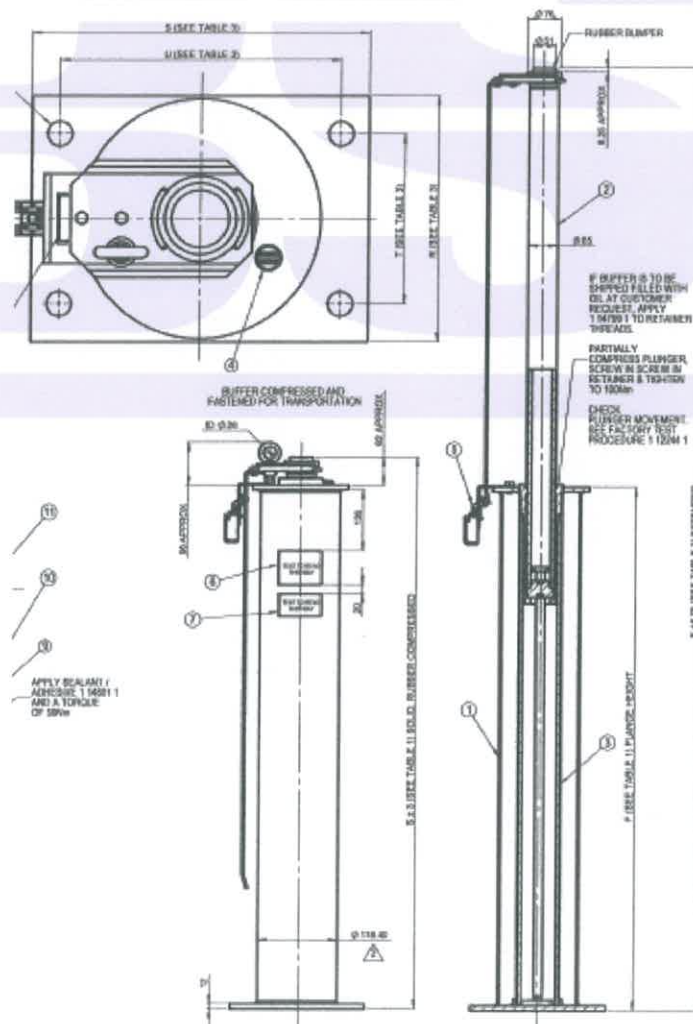
Page: 2 of 3



Type Examination

No. BSI-LB-573671

Energy Dissipation Buffer model MLB35.3



First Issued: 24 March 2011

Issue: 3

Date: 12 September 2012

raising standards worldwide™

Page: 3 of 3

