

Certificate

EC Type Examination

No. BSI-LB-011

Issued to:

Oleo International Ltd.
Grovelands Estate
Longford Road
Exhall
Coventry
CV7 9NE
United Kingdom

In respect of:

Energy Dissipation Buffer model LB 35-001

on the basis of our examination under the requirements of Council Directive 95/16/EC, Annex V:A, The Lift Directive, as recorded in BSI Report No. 282/005059-20 dated 21 October 1998 and 289/7443436 dated 25 September 2009.

Any modification to the design of this product will invalidate the EC Certificate and the Notified Body, number 0086, must be informed without delay.

For and on behalf of the British Standards Institution, a Notified Body for the above Directive (Notified Body Number 0086):



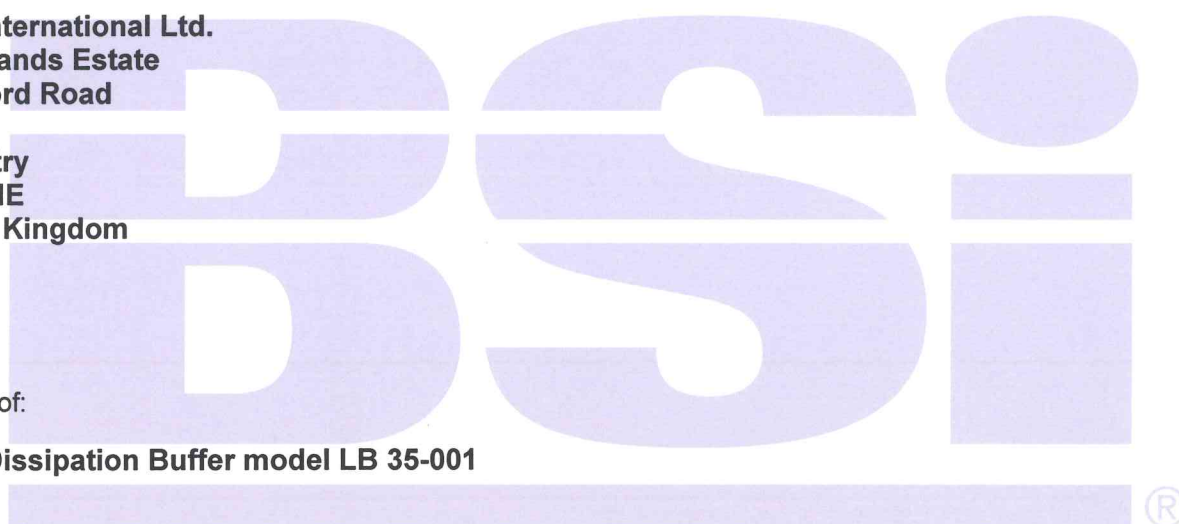
David Ford, Director, BSI Healthcare & Testing Services

First Issued: 23 October 1998

Issue: 2 Date: 25 September 2009

Page: 1 of 3

raising standards worldwide[™]



Certificate

EC Type Examination

No. BSI-LB-011

Scope of Certificate for energy dissipation buffer model LB 35-001 is installed to operate under the following conditions:

1. For use with a minimum mass of 1000kg.
2. For use with a maximum mass of 8330kg.
3. With a maximum impact speed of up to 4.09 m/s.
4. For use with hydraulic fluid type that meets ISO VG68.
5. Additional manufacturing site:

Oleo Buffers (Shanghai) Co. Ltd
Plant A 15 Xinfei Garden
No. 3802 Shengang Road
Songjiang Industrial Area
Shanghai 201612
China

Product Services

First Issued: 23 October 1998

Issue: 2 Date: 25 September 2009

Page: 2 of 3

raising standards worldwide[™]

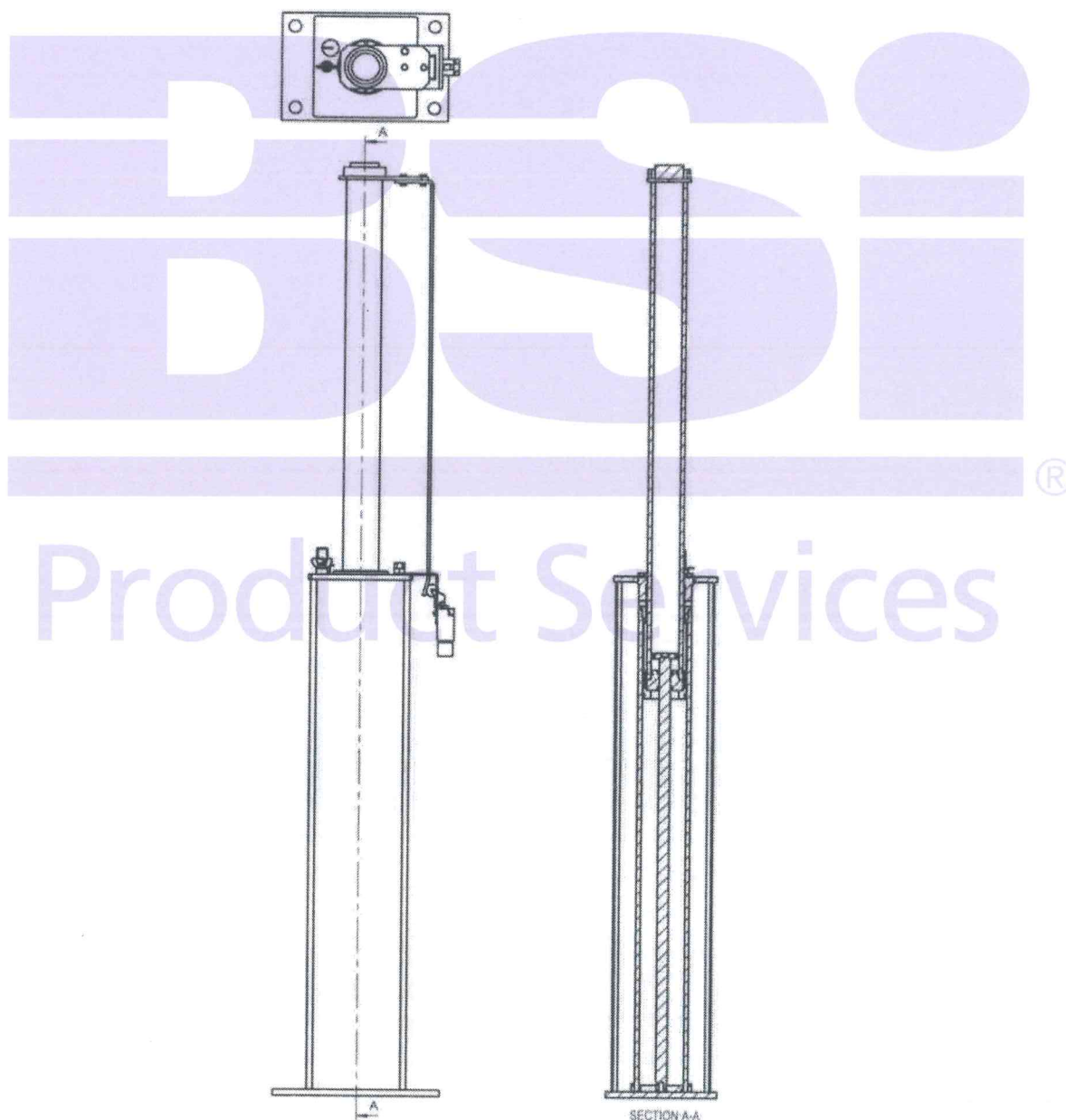
BSI
Product Services

Certificate

EC Type Examination

No. BSI-LB-011

Energy Dissipation Buffer model LB 35-001



First Issued: 23 October 1998

Issue: 2 Date: 25 September 2009

Page: 3 of 3

*raising standards worldwide*TM

BSI
Product Services